

600 Travis Loading Dock and Freight Elevators

JPMorgan Chase Tower has a 29-bay loading area to be used by trucks and vehicles making deliveries. The entrance to the loading dock is located on the corner of Texas between Milam and Travis with a clearance height of eleven feet which accommodates most delivery vehicles. For larger truck deliveries, please contact the loading dock security guard for parking assistance. Hand deliveries are not accepted at the loading dock and will be sent through the main entrance of the building.

Hours of operation are 6:00am-5:00pm, Monday through Friday. Other hours of use must be scheduled through the Property Management Office at 713.223.0441.

Freight Elevators

JPMorgan Chase Tower is equipped with four service elevators. Two elevators serve Level B1 - Level 74, one elevator serves Level 49 - Level 75 and one elevator serves Level B1 - Level B4. During regular building hours the two elevators servicing Level B1 - Level 74 are available on a first come, first served basis.

Dimensions for the freight elevators are as follows:

- Height: 107"
- Width: 79"
- Depth: 64"
- Door Width: 44"

Business hours are 6:00am - 5:00pm, Monday through Friday, excluding recognized building holidays. For questions, please call the Loading Dock Attendant at 713.223.9098.

After Hours Freight Elevator Reservations

- Reservations are required for usage of the freight elevators after normal business hours. Please contact the Property Management Office at 713.223.0441 at least 24 hours in advance.
- Freight elevators are available for reservations between the hours of 10:30pm and 6:00am on weekdays and are available anytime on weekends.
- All after hour moves require a building provided security officer to operate the freight elevator at the expense of the tenant with a four-hour minimum.
- Tenants will be held fully responsible for any damages that may occur to the premise during moves.

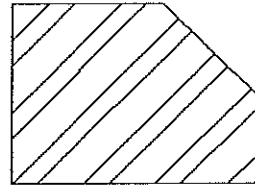
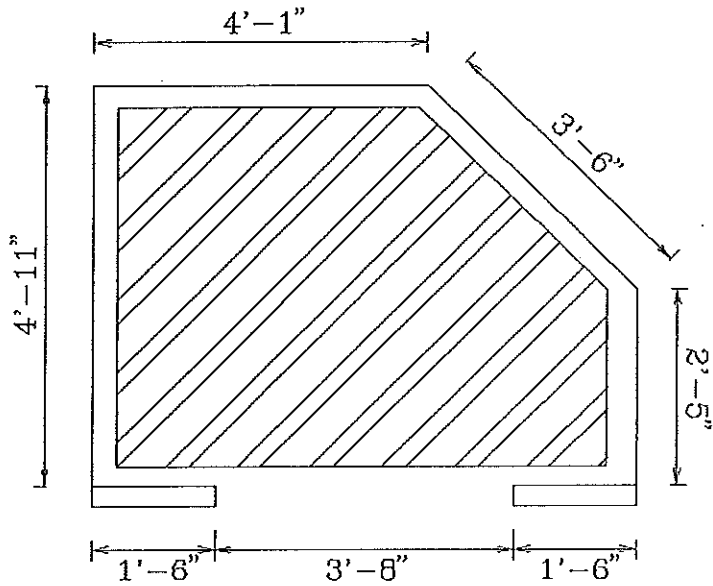
If tenant or contracted moving company has any questions regarding building standards and guidelines, please contact the Property Management Office at 713.223.0441.

SE - 1

All Dimensions

INSIDE MEASUREMENTS

Square Ft 29.5
Linear Ft 21' 8"



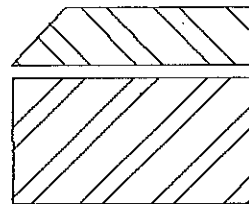
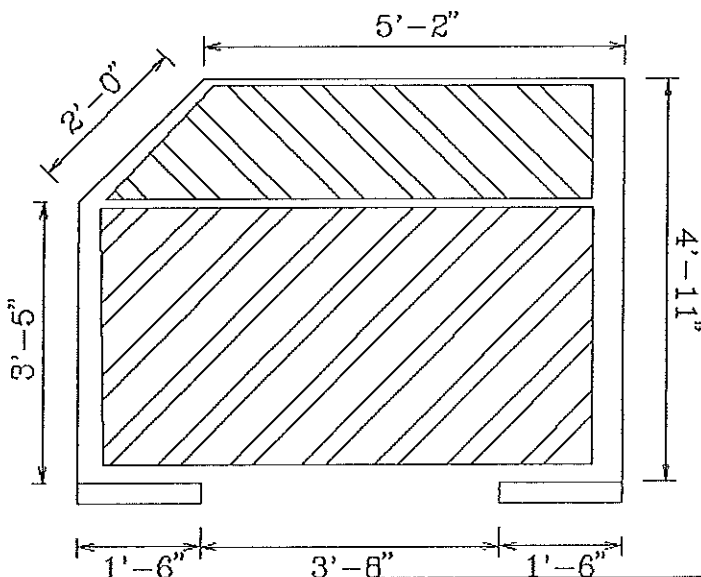
Standard Ceiling
9'-0"

SE - 2

All Dimensions

INSIDE MEASUREMENTS

Square Ft 31.5
Linear Ft 22' 3"



Raised Ceiling
11'-0"

Standard Ceiling
9'-0"

Drafted By:	G. M. O'Keefe
Title:	Stationary Engineer
Company Name:	TCT - Hines 223-3214